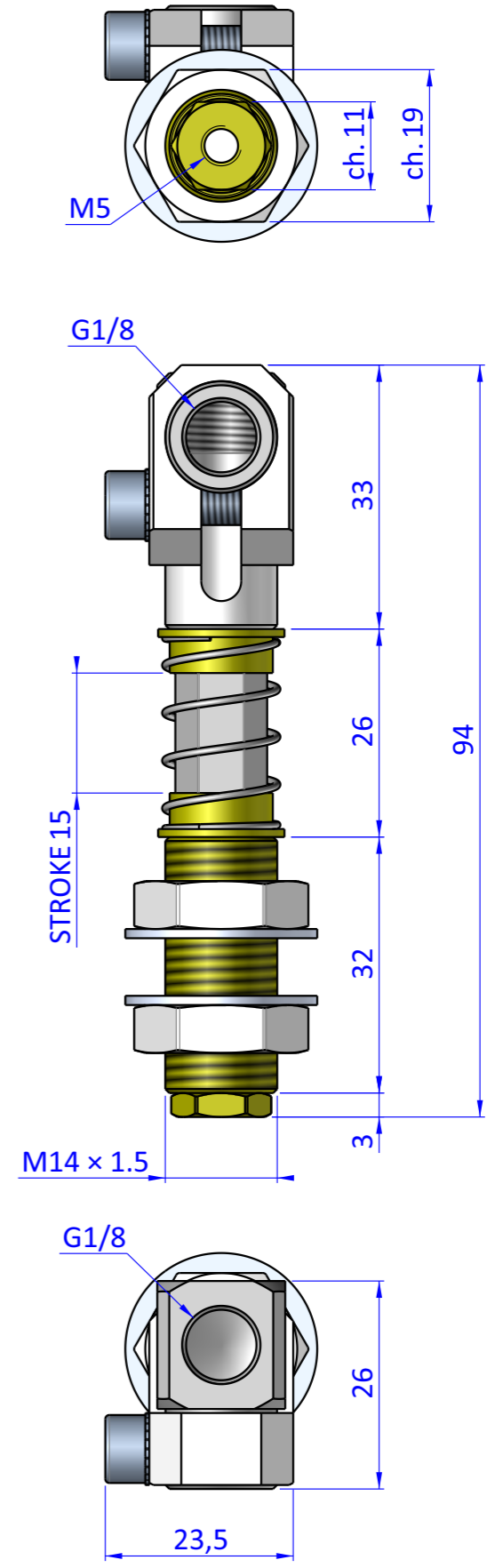
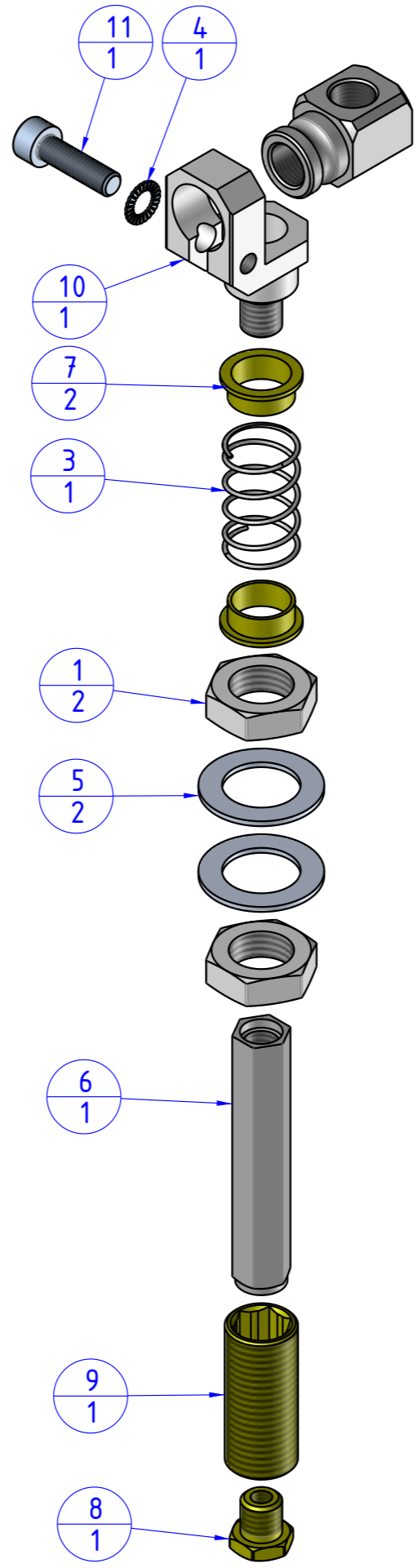



THE PROPERTY OF THE DRAWING IS ESTABLISHED BY LAW. IT IS FORBIDDEN TO PRODUCE OR SHOW IT TO THIRD PART. WITHOUT A WRITTEN AGREEMENT.

Item	Name	Q.ty
1	05.01.001.06	2
2	GGB.14.18.18	1
3	M.15x35	1
4	R.5.SCH	1
5	R.14.SCH	2
6	SAE.14181815.2	1
7	SAE.14181815.4	2
8	SAE.14181815.5	1
9	SAEG.14181815.3	1
10	SAS.14.1	1
11	V.TCE5x18	1



Format A3
UNI 936-76

 FPS SERVICES AUTOMATION		DESIGNED FROM		REVIEW
		FPS Automation		A
GENERAL TOLERANCE		DATE	WEIGHT	
UNI - ISO 2768		21/01/2022	0,070kg	
CLASSE f		CODE	CA.SASG.14181815	
		DESCRIPTION	CA.SASG.14181815	